



Installation instructions, accessories

Volvo Car Corporation Gothenburg, Sweden

Instruction No	Version	Part. No.
31428168	1.1	31435711, 31435710

Alarm, siren

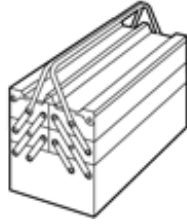


Installation instructions, accessories

Volvo Car Corporation Gothenburg, Sweden

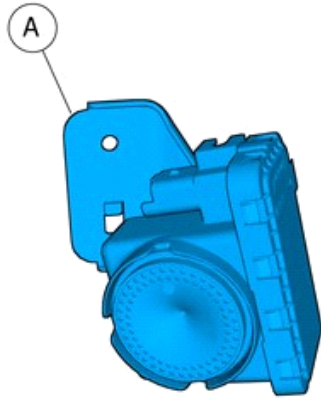
Equipment

VIDA



IMG-242205

IMG-345497



IMG-410618



Installation instructions, accessories

Volvo Car Corporation Gothenburg, Sweden

Information

1

Read through all of the instructions before starting installation.

Notifications and warning texts are for your safety and to minimise the risk of something breaking during installation.

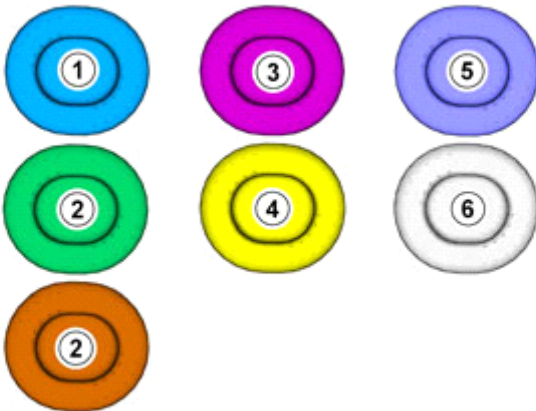
Ensure that all tools stated in the instructions are available before starting installation.

Certain steps in the instructions are only presented in the form of images. Explanatory text is also given for more complicated steps.

In the event of any problems with the instructions or the accessory, contact your local Volvo dealer.

Color symbols

2



IMG-363036

Note!

This colour chart displays (in colour print and electronic version) the importance of the different colours used in the images of the method steps.

- Used for focused component, the component with which you will do something.
- Used as extra colors when you need to show or differentiate additional parts.
- Used for attachments that are to be removed/installed. May be screws, clips, connectors, etc.
- Used when the component is not fully removed from the vehicle but only hung to the side.
- Used for standard tools and special tools.
- Used as background color for vehicle components.

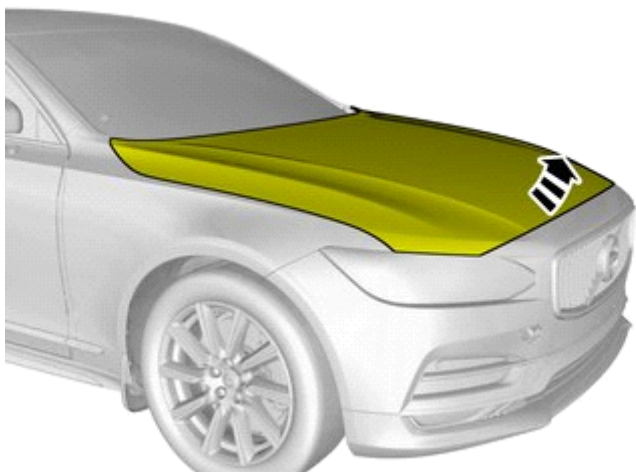
Preparation



Installation instructions, accessories

Volvo Car Corporation Gothenburg, Sweden

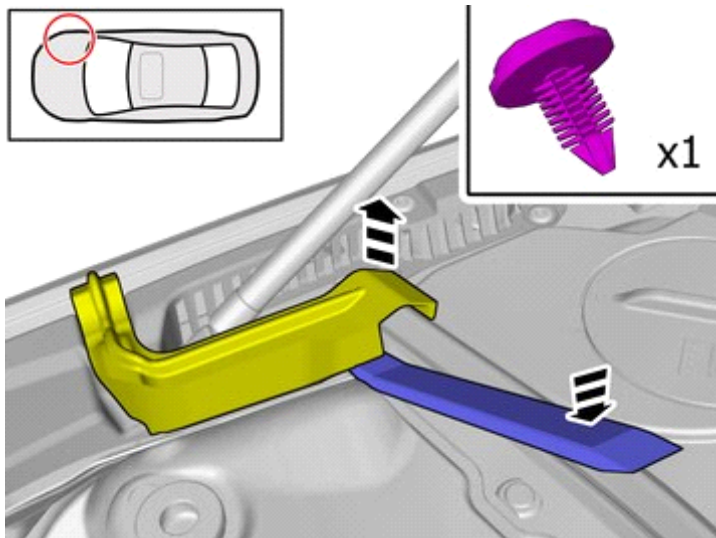
3



IMG-409765

Removal

4



IMG-419162

Remove the clip.

Fold marked part to one side.

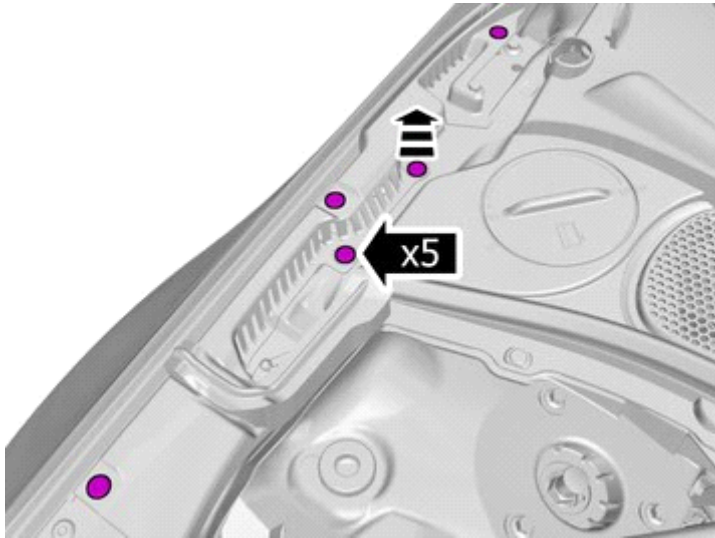
Use: Clip remover



Installation instructions, accessories

Volvo Car Corporation Gothenburg, Sweden

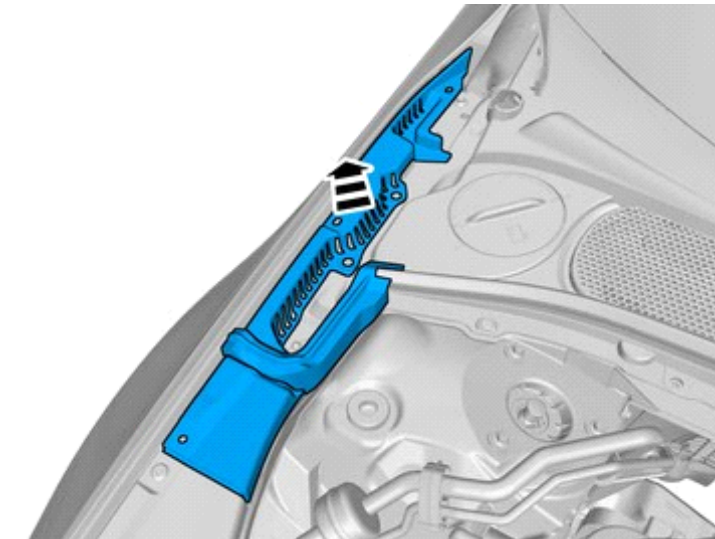
5



IMG-410608

Remove the clips.

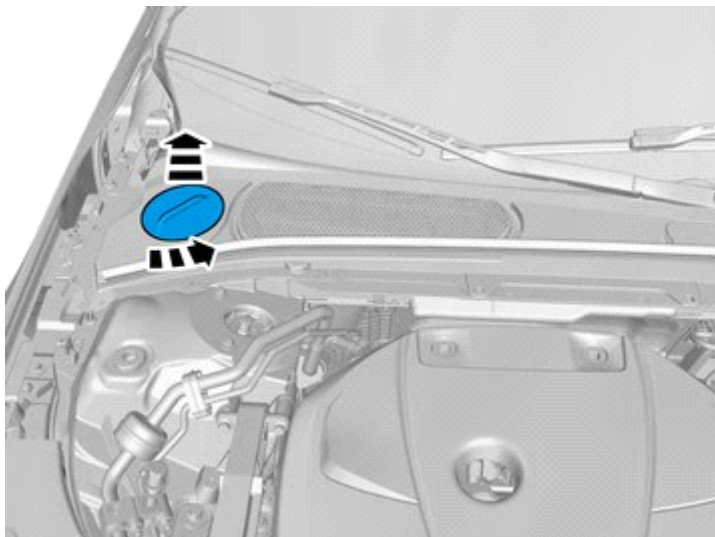
6



IMG-410609

Remove the marked part.

7



IMG-410610

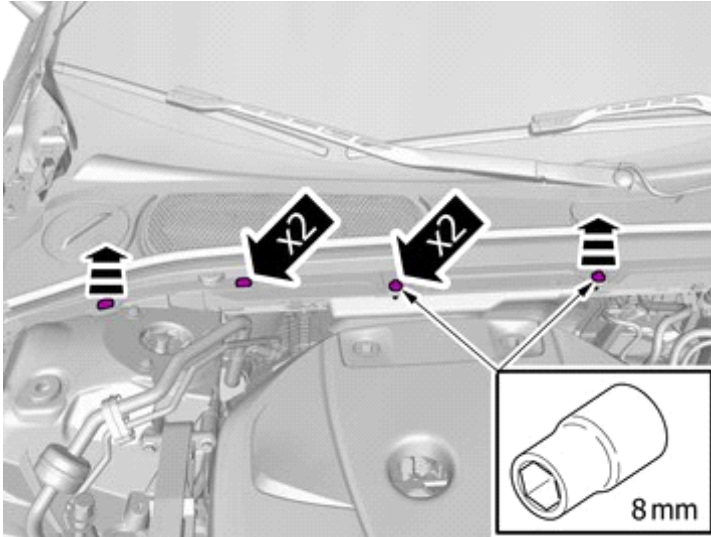
Remove the marked part.



Installation instructions, accessories

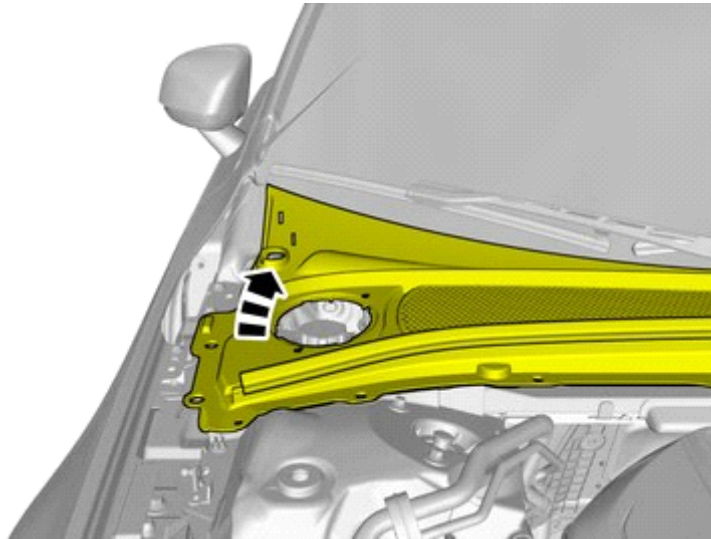
Volvo Car Corporation Gothenburg, Sweden

8



IMG-410611

9



IMG-410612

Fold marked part to one side.

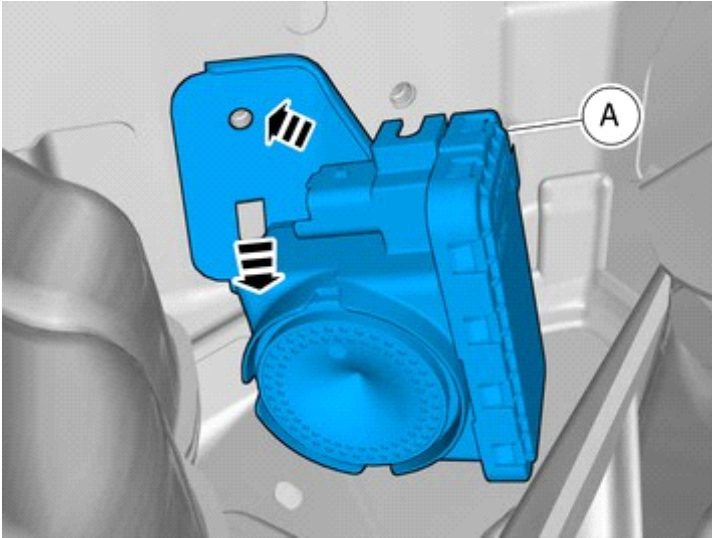
Accessory installation



Installation instructions, accessories

Volvo Car Corporation Gothenburg, Sweden

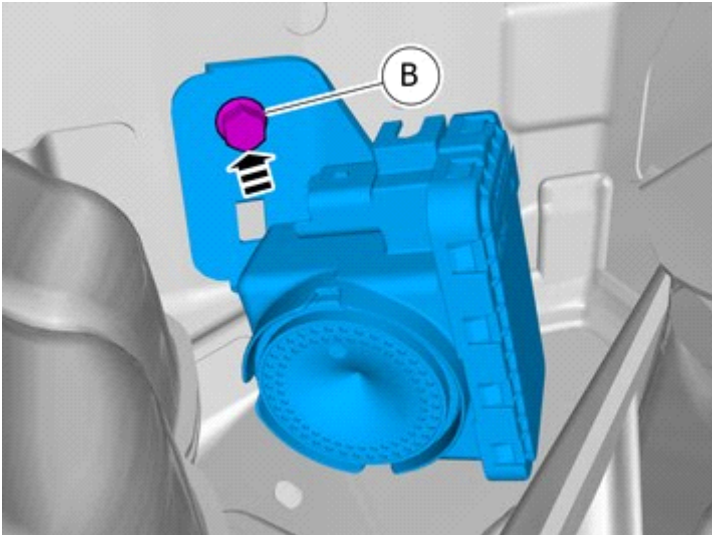
10



IMG-410619

Place the component where indicated in the graphic.

11

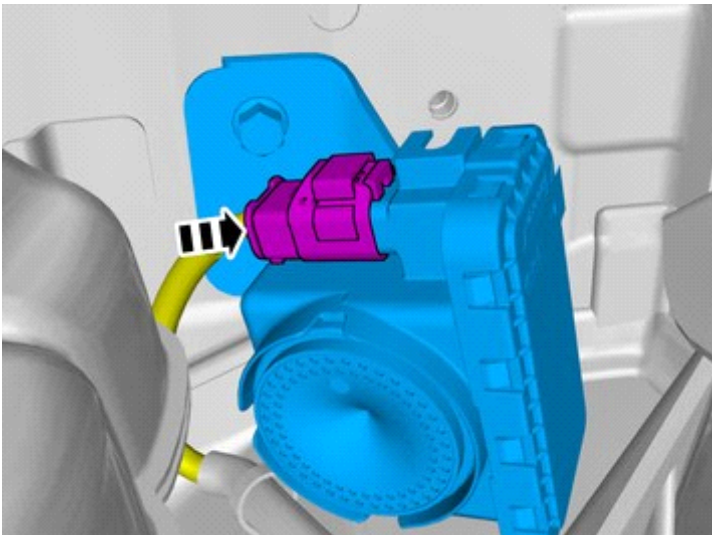


IMG-410620

Tighten the screw.

Tightening torque: M6 , 10 Nm

12



IMG-410621

Connect the connector.



Installation instructions, accessories

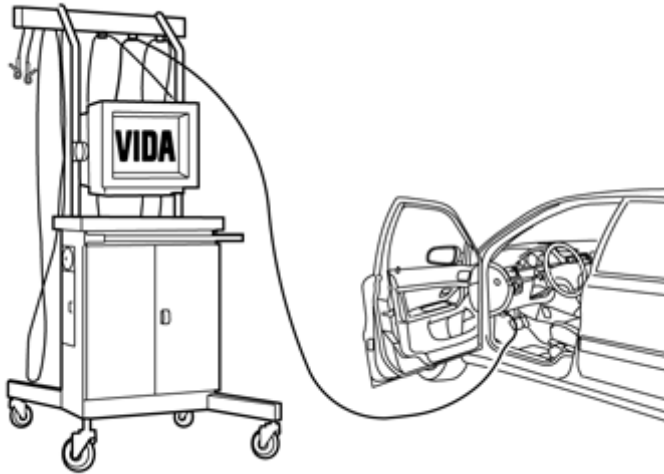
Volvo Car Corporation Gothenburg, Sweden

13

Reinstall the removed parts in reverse order.

14

Download software (application) for the accessory's function according to the service information in VIDA.



IMG-242268